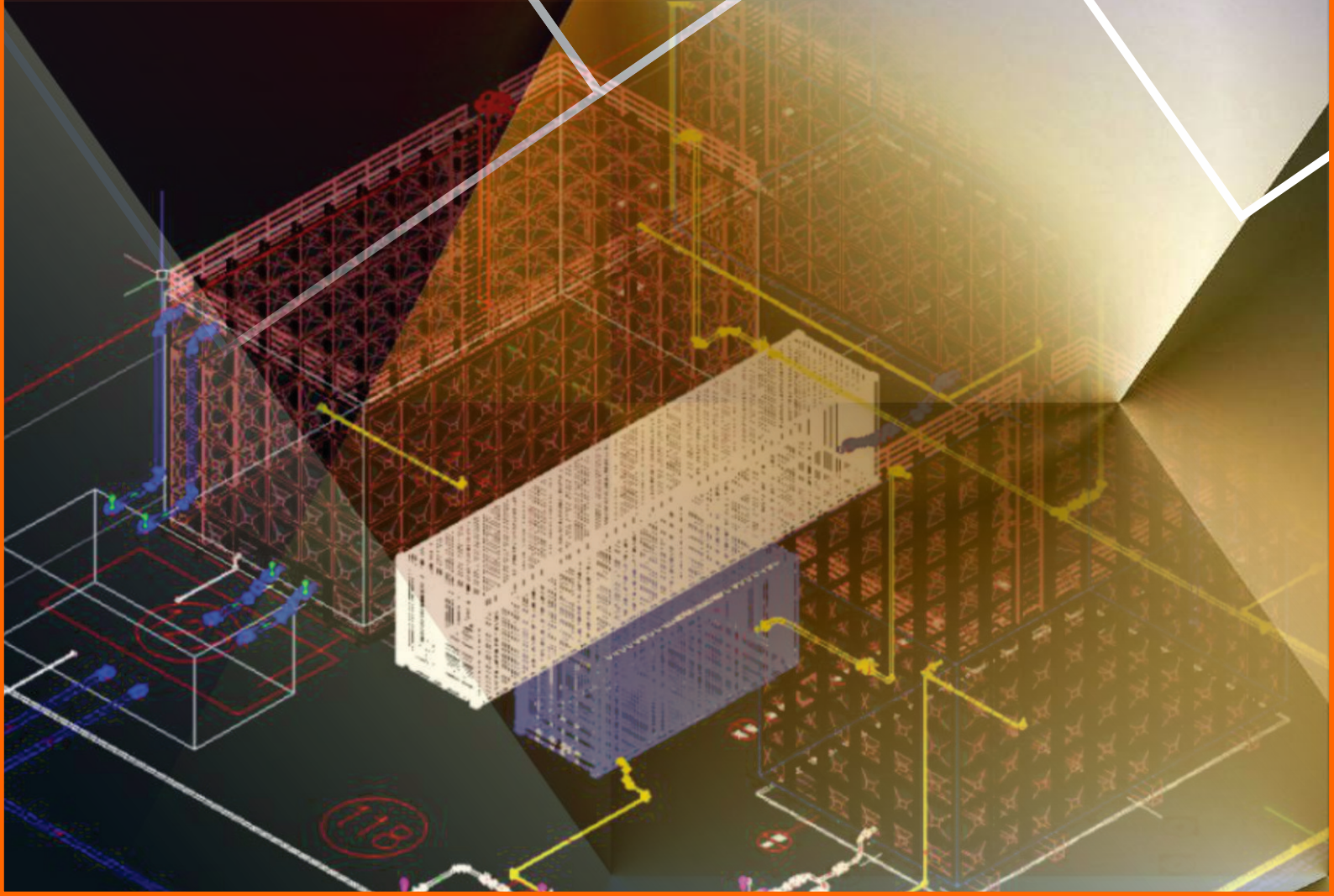




Company Profile



Who we are ?

Ingenuity Engineering & Consultancies Company (IECCo) is a company based on the Republic of Yemen established in 2020 and managed by highly experienced national professionals and offers engineering services mainly in the oil and gas industry, power generation, commercial buildings and renewable energies.

Ingenuity Engineering & Consultancies Company delivers value to all its stakeholders by guaranteeing the delivery of the most economic designs hence ensuring best value for clients' money.

**ABOUT THE
COMPANY**

OUR MISSION



To create and deliver value to our clients by providing high quality and professional engineering services while using a specialized and innovative approaches that meet our clients' project's needs.

To help our clients' achieve their goals and visions by providing them with first class business consultation services and out of the box solutions to optimize efficiency and improve competitiveness

OUR VISION



To become the number one Engineering and Consultancy Company in the Republic of Yemen, delivering the finest engineering and consultancy services in line with international industry standards

To be the leading engineering and consultation company in the Republic of Yemen and Gulf region, renowned for our analytical methodologies, creative solutions, and human resource

Company
Mission & Vision



OUR VALUES

➤ INTEGRITY

Trust, transparency and ethical interactions are our base of doing the business.

➤ AGILITY

We recognize time as a competitive advantage and adapt quickly to any changes in the customer requirements.

➤ DIVERSITY AND INCLUSION

Everyone in the work place is valued and respected. Various backgrounds, experiences and viewpoints that all individuals bring to the work place are our success ingredient.

➤ QUALITY

Committed to deliver high quality services

➤ COMMITMENT AND DECIPLINE

We deliver what we promise to each other and to our clients.

➤ ENVIRONMENTAL SUSTAINABILITY

Committed to fostering environmentally sustainable designs for both conventional facilities and renewable energy systems.

**Company
Values**



OUR TEAM

Ingenuity team has more than 50+ years of combined experience across oil and gas, energy and power plants, supply chain management, projects technical and commercial management sections. Ingenuity management acknowledges the importance of continuous team development to be fully conversant in the field of energy and engineering.

We do this by enhancing our knowledge and skills within the energy engineering section to ensure that our team understands clearly the technical skills and competencies required by our clients for each project.

The needs of internal and external training are continuously evaluated to allow our team to use advanced search criteria on client specific requirements and our team's competencies are continuously evaluated to analyze and bridge any skills gap between our clients' needs and our team technical skills.

Management, finance and commercial training in areas such as electrical power plants and oil & gas engineering, procurement and construction contracts, material and services supply contracts and other industrial contracts, are continuously provided for our team to ensure their ability to achieve autonomy between our clients requirements and any other third parties contracted directly by the client, or indirectly through Ingenuity, for the benefit of our clients projects and facilities.

Our team ensures that, in addition to the range of services we provide, an ongoing aftercare is always provided for any clients that we engage with and supply services too.

Company Team



HEALTH, SAFETY, ENVIRONMENT & SECURITY POLICY (HSES)

Ingenuity Engineering & Consultancies Company (IECCo.) is committed to the preservation and nurturing the Health, Safety, Environment and Security of all those who are engaged directly or indirectly in IECCo.'s business activities.

IECCo. ensures managing HSE matters in at company and individual personnel levels, with professional, genuine and empathetic approaches and most importantly with long term sustainability.

IECCo. measures its success in HSE policies through both inherently safe designs with minimal risks and environmental cycles and related performance indicators.

In IECCo., HSE is everyone's responsibility. Every staff member have the right and the obligation to raise any concern, suggest any improvement and bring forward any ideas to improve project's HSE aspects with the ultimate goal to reduce and if possible practically eliminate environmental pollution and risks on both personnel and assets through process and engineering designs

In IECCo., everyone is committed to maintaining a clean and hazard free workplace and always looking out for new hazards in the workplace. All members of staff and management are required to report any new hazards immediately. New hazards are analyzed and immediate appropriate actions are taken at any required levels.

Finally, IECCo.genuinely believes that security of our client's information, reputation, assets tangible and intangible are one of the core component of our HSE policy.

Company HEALTH, SAFETY, ENVIRONMENT & SECURITY POLICY (HSES)





Company
SERVICES

RAIN DRAIN



FEASIBILITY STUDIES

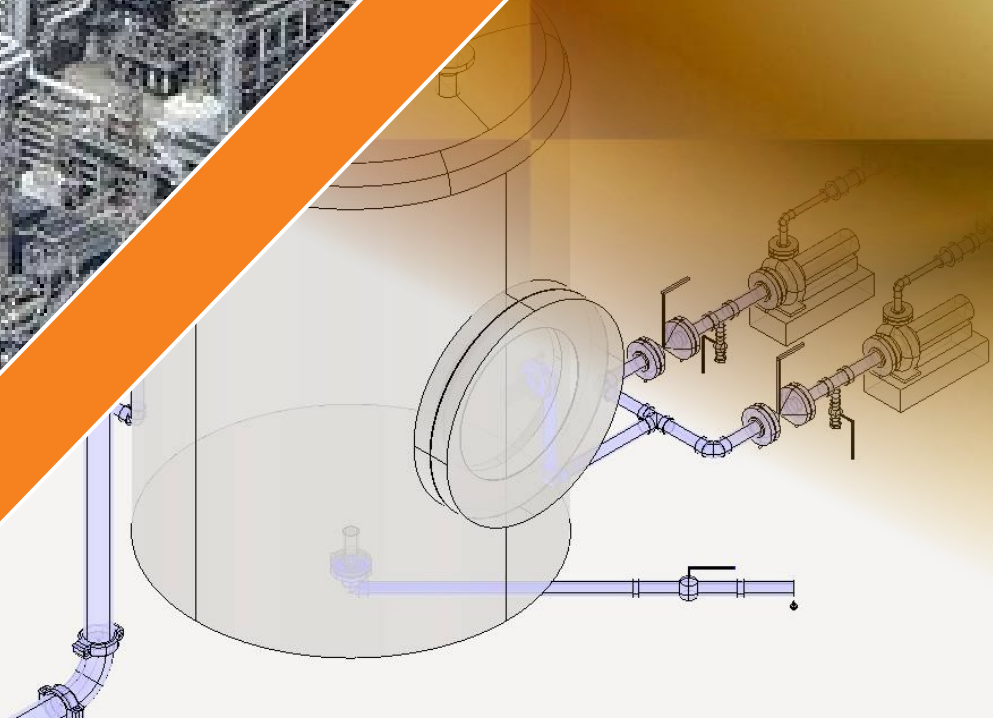
- Projects' cost estimations.
- Technical feasibility studies.
- Commercial feasibility studies.
- Contractual, HR, finance and technical support and consultations for businesses.
- Startups' business, planning and support.
- Site surveys and data collection (within ROY).
- Geotechnical and soil investigation and studies(within ROY).
- Contractual & technical scope of work review and/or preparation, and consultations for medium to large size projects' including oil & energy, power generation, construction projectsetc.



ENGINEERING DESIGN/REVIEW

<by Speciality>

- Electrical power generation plants (natural gas, diesel, HFO & crude oil fueled).
- Water treatment systems.
- Oil & gas surface facilities (production and injection well pads, separation facilities).
- Renewable energies (solar systems, wind turbines, solar heaters)
- Fluid pumping systems.
- Commercial & residential buildings design (structural, civil and interior design)
- Natural gas separation, treatment & conditioning.
- Fluids (crude oil & water) storage facilities.
- Gas compression & transportation systems.
- Oil/water separation systems.
- Crude oil refineries.
- LPG extraction plants.
- LNG storage & export facilities.



ENGINEERING DESIGN/REVIEW

◀ by Engineering Field ▶

- Architectural & Interior.
- Civil & Structural.
- Mechanical.
- Electrical.
- Instrumentation and Control.
- Process.
- Piping.
- Engineering Drafting(2D & 3D).

◀ by Industry Sector ▶

- Oil & Gas.
- Power Generation.
- Residential Buildings.
- Commercial Buildings.
- Renewable Energies.



PROJECTS MANAGEMENT

To cater for our clients needs in managing their projects' complete life cycle and with IECCo.'s certified Project Management Professionals, IECCo. offers a wide range of engineering and EPC project's management and administration services, including the following activities:

Initiating Phase:

- Techno-commercial feasibility studies.
- Technical scope of work/scope of supply.
- Project's contracts commercial/legal terms and conditions
- Tendering package.
- 3rd parties negotiation during tendering and awarding.

Planning Phase:

- Developing the project management plan that includes the scope management plan, risk plan, cost plan,..etc.
- Collecting and confirming the project requirements from all related stakeholders.
- Projects staffing requirements.



PROJECTS MANAGEMENT

Executing and Monitoring Phase:

- Engineering design, review & specification compliance auditing.
- Construction project's site supervision within Republic of Yemen.
- Supply of qualified personnel and engineers for different project site testing activities.
- Supply chain support including :
 - Tendering & contracting.
 - Procurement & supply.
 - Logistics & transportation.
- Documents control & coordination.

Closing Phase:

- Project close-out support including:
 - Contractual obligations review.
 - Punch lists review.
 - Other as needed.



SUPPLY CHAIN MANAGEMENT

- **Supply Chain Management:**
 - Logistical support.
 - Procurement of material and services.
 - Expediting & Transportation.
 - Customs clearance within ROY.
- **Tendering & Contracts:**
 - Preparation and review of tendering documentation.
 - Bidders' technical & commercial evaluations and appraisals.
 - Tenders awarding negotiation and final contracting.
- **Administration & Legal:**
 - Employment contracts.
 - Job descriptions formulation.
 - Internal policies drafting and formulations.



ingenuity

Contact Us:



Office No. 03, 4th floor,
Ibn-Al-Nafees University Building,
P.O. Box: 11115, Baghdad Street,
Sana'a, Republic of Yemen.



00967-1-205340/1/2



info@ingenuity-ec.com



www.ingenuity-ec.com

Follow Us:



www.linkedin.com/in/ingenuity-ec



www.facebook.com/ingenuity-ec



Contact Us:

إن جينوتي للمهندسة والاستشارات

Ingenuity Engineering & Consultancies Co.

ingenuity

